

GT08系列超薄按键开关 - 1.6mm行程

GT08-Ultrathin Mechanical Keyboard Switch-1.6mm Travel



■ 特点 Features:

- ◆带触感响声或平滑静音可供选择 -With tactile sound or smooth mute for selection
- ◆触感平稳自然,触按键角绝无卡滞现象 -Feel smooth and natural, no touch key angle card lag phenomenon
- ◆寿命可达1000万次以上 -Life can reach more than 10 million times
- ◆可配RGB-LED灯增加炫彩背光 -Can be equipped with RGB-LED lights added colorful backlight
- ◆专利产品, 全球首创 -Patent products, the world's first

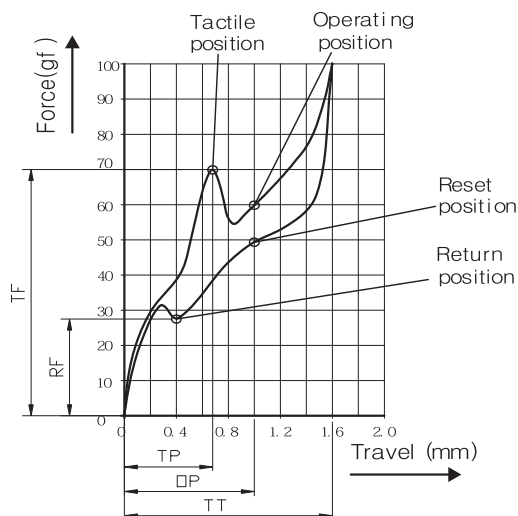
■ 用途 Applications:

- ◆笔记本电脑键盘
Notebook computer keyboards

■ 规格参数 Specification and Parameters:

电气特性 Electrical Characteristics	额定负荷 Rating	12V DC/AC max.10mA AC/DC max
	初始接触电阻 Initial Contact Resistance	200mΩ Max
	绝缘电阻 Insulation Resistance	100MΩ Min
	耐电压 Voltage Resistance	AC 100V (50-60Hz) 1 Minute
	电气寿命 Electrical Life	Over 10,000,000 cycles(Load)
	弹跳时间 Bounce Time	操作速度 <400mm/s 5msec (operation speed at <400mm/sec)
特性参数 Parameters	触感力 Tactile Force(TF)	70 ±15gf
	触感行程 Tactile Position(TP)	0.65 ±0.2mm
	操作行程 Operating Position(OP)	(TP+0.05) ≤ OP ≤ 1.2mm
	全行程 Total Travel(TT)	1.6 ± 0.3mm
	回复力 Return Force(RF)	RF=20gf Min
	机械寿命 Mechanical Life	1000 万次以上 (无负载下) Over 10,000,000 Cicles(No Load)
	使用温度 Operating Temperature Range	- 40℃ ~ + 80℃
	使用湿度 Ambient Humidity	≤ 85%RH
手工焊接条件 Hand soldering Condition	3Sec Max.at 360℃ ±10℃	

■ 行程力度曲线 Travel-force curve



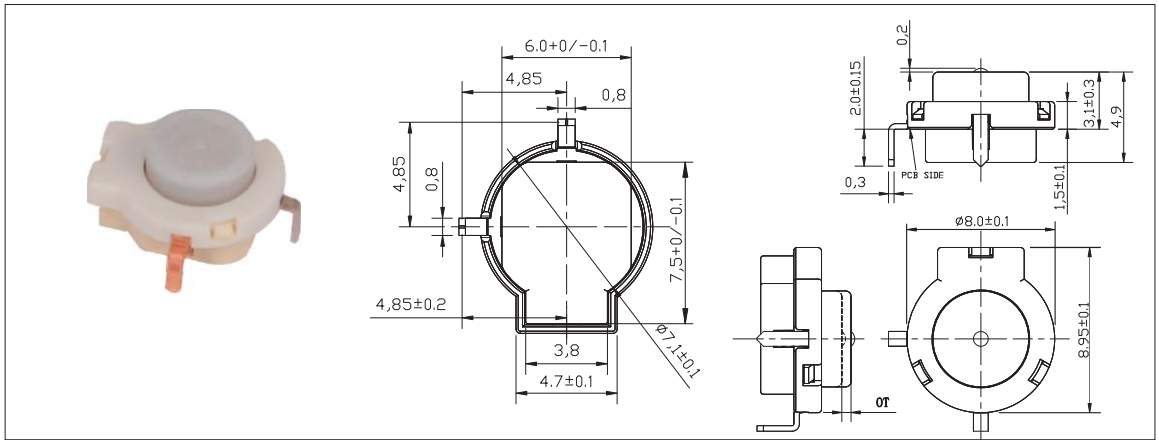
GT08系列按键开关订货指引

GT08 Series Keyswitch Ordering Instruction

GT08	A	1	C	N	P	A1		
冠泰开关 型号 GUANTAI Switch Type	开关总高度 Keyswitch Height	4.9mm	操作力代码Code of Operating Force	操作力特征和按键类别 Operating Characteristics and Key Stem Style		LED 二极管 LED Diode	安装选择 Mounting Options	特殊要求行程 Special requirements travel
	A	4.9mm	1 OF=70±15gf	A	单极, 标准型, 黑色按键 single pole, standard type, black key stem	N	无LED, 无二极管 No LED, No Diode	P 插脚式 With pins
B	其他 Others	2	其他待定义	C	单极, 触感型, 带响声, 白色半透明按键 single pole, tactile feel, sound, white translucent key stem		S 贴片式 Suitable	A2 其他待定义 Other to be defined

尺寸 Dimensions

单位/Unit:mm



电路板孔设计 Circuit Board Layouts

